

Application Case Story

Meldin® HT

APPLICATION:

Tilt Pad Thrust Bearing

MATERIAL:

Meldin® 5055

PART DEFINITION:

Thrust Pad Bearing Element

TECHNICAL DATA:

TYPICAL DIMENSIONS:

11" OD x 5" ID x .5" Thickness
(279mm x 127mm x 12.7mm)

SPEED: 2750'/min (14m/sec)

COUNTERFACE: Low Carbon Steel

LUBRICATION OR MEDIA:

ISO VG68 Oil

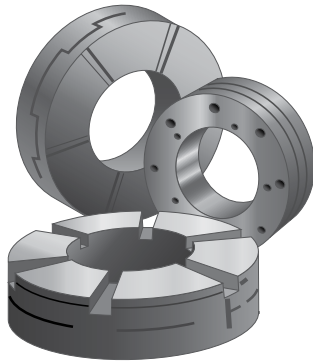
WORKING TEMPERATURE:

500°F (260°C)

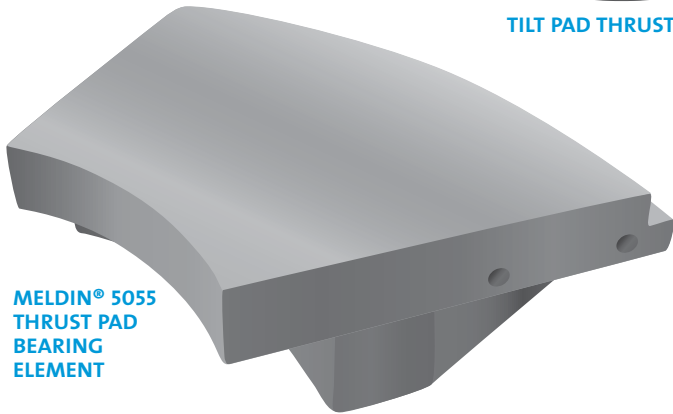
FEATURES / BENEFITS:

This tilt pad thrust component undergoes extreme pressure loading. **Meldin® 5055** has demonstrated excellent performance under PV conditions of 500,000.

Meldin® 5055 has a low wear rate and long life under high pressure loading and speed conditions, and shows better durability performance than metallic counterparts such as Babbitt.



TILT PAD THRUST BEARINGS



MELDIN® 5055
THRUST PAD
BEARING
ELEMENT

Saint-Gobain Performance Plastics

North America: 1-800-223-4966 Bristol, RI, USA

Europe: +32 3 458 28 28 Kontich, Belgium

Asia: +81 33 26 30 285 Tokyo, Japan

Email: sgppl.marketing@saint-gobain.com

Website: www.rulon-meldin.com

ACS-455-PDF-0905-SGCS

Meldin® is a registered trademark.
©2005 Saint-Gobain Performance Plastics